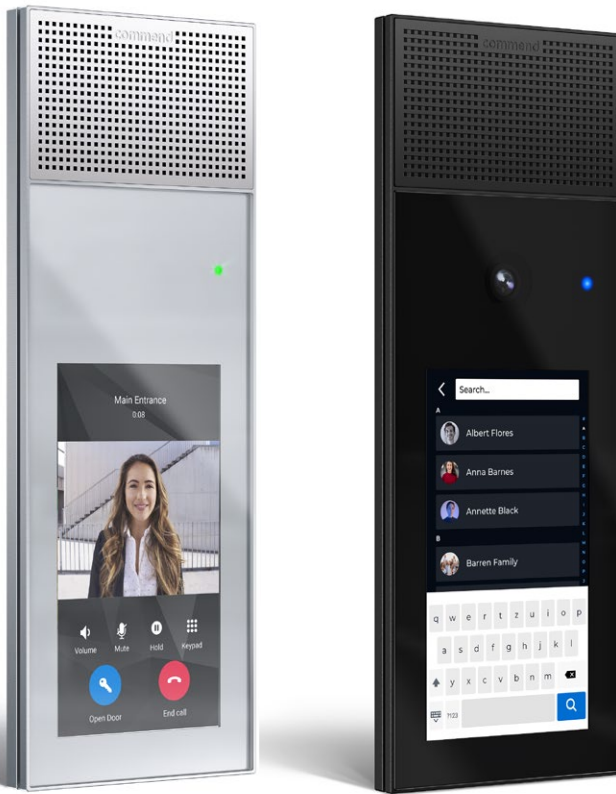


id5 ID5 TD, ID5 TD CM, ID5 TD-B, ID5 TD CM-B

Intercom station for desks and walls



Adaptive solutions for interior zones

Maximum flexible and compatible – that's exactly what the Commend Indoor series provides. For the stylish Intercom stations, only high-quality materials such as glass, stainless steel and aluminium are used. Thanks to its flat housing and the timeless look, the Indoor series Intercom stations are perfectly designed for indoor use – whether on desks or walls.

Each Indoor series Intercom station comes with a large 5" touch display. Crystal clear audio enables high speech intelligibility. In order to fulfil individual needs, the Intercom stations are available without (ID5 TD) or with (ID5 TD CM) a high-resolution video camera.

Via the well-arranged, intuitive web interface, the Indoor series Intercom stations can quickly and easily be configured. Not only that: the flexible web interface allows to manage handset, gooseneck microphone, I/O module and induction loop. These add-ons are connected via the two USB slots on the rear.

Features and highlights

- High-performance processor and wide range of functions
- Flexible installation options with a flush mount or surface mount kit and various options to be used on desks
- Large 5" touch display with 720 x 1280 pixels
- Comfortable configuration via web interface
- Acoustically optimised components for high intelligibility
- Available with or without wide view angle video camera
- Easy to expand with handset, gooseneck microphone, induction loop, audio interfaces as well as inputs and outputs via USB
- Extra-high production quality based on durable high-grade materials
- High level IT security

Ready for Symphony Cloud Services

The Intercom stations can be connected to Symphony and use its services. Symphony is the world's first cloud-based Intercom platform with "Privacy and Security by Design". Visit the Symphony website to find out about the services currently available and if they are already offered in your country. symphony.commend.com

Key benefits at a glance

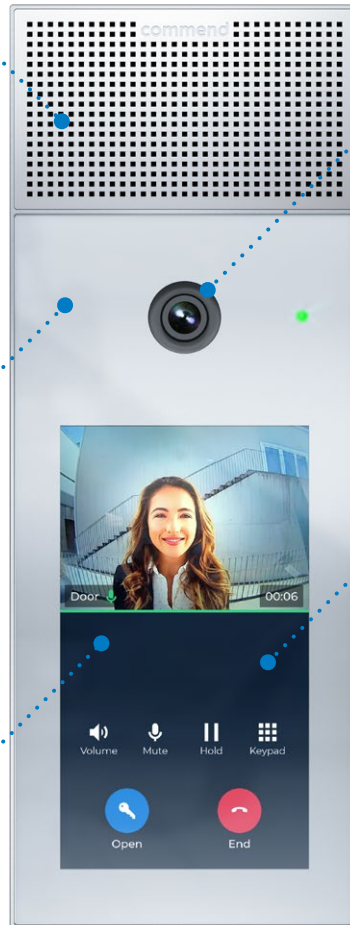
Crystal clear sound: two loudspeakers and high-quality audio technology ensure a perfect listening and speaking experience.

Enhanced overview: the optional built-in high-resolution video camera has a picture-perfect viewing angle that allows it to capture persons who are not at eye-level with it, such as wheelchair users or children.

Powerful performance, timeless design: the high-end Intercom stations make use of high-quality materials and look smashing. They are equally suited for mounting on a wall or placing on a desktop.

The 5" colour touch display is individually¹⁾ configurable and shows the live image from the other station during video calls.

A question of attitude: the stations are quick and easy to configure individually¹⁾ over the Command web interface.



CONCERTO always strikes the right note, with two MEMS microphones making sure that no interfering background noise gets through. The software and special audio algorithms provide an exceptionally high level of speech intelligibility.

¹⁾ Door and indoor mode

Door mode (see also display of ID5TD CM at "Versions"):

- Any number of buttons
- Possibility to scroll
- No menu functions

Indoor mode (see also display of ID5TD at "Versions"):

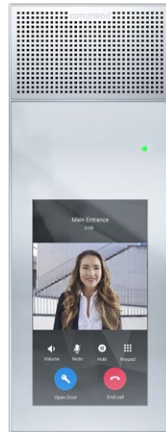
- Up to six buttons
- Menu functions ("Home", "Keypad", "Contacts" and "Settings")

Product details

Variants

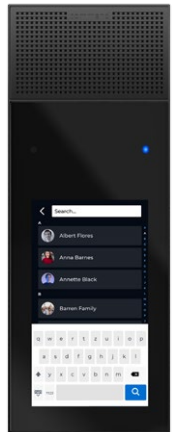
ID5 TD

High-end Intercom station in silver with an individually¹⁾ configurable 5" touch display.



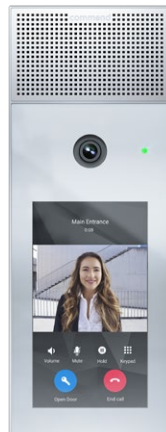
ID5 TD-B

High-end Intercom station in black with an individually¹⁾ configurable 5" touch display.



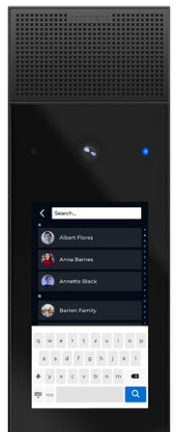
ID5 TD CM

High-end Intercom station in silver with a high-definition camera and an individually¹⁾ configurable 5" touch display.



ID5 TD CM-B

High-end Intercom station in black with a high-definition camera and an individually¹⁾ configurable 5" touch display.



¹⁾ See "Door and indoor mode"

Accessories

Desk kit with handset ID5 DKHS

With the desk kit ID5 DKHS, a base module can quickly and easily be placed on a desk. To ensure optimum usability, the ID5 DK positions the device at a 45° angle. This desk kit includes a handset that is connected to the Intercom station via USB.



Wall kit with handset ID5 WMHS

The ID5 WMHS wall kit extends a base module with a handset and a mounting bracket for easy, secure mounting to a wall. The handset simply needs to be connected to the Intercom station via USB.



Desk kit ID5 DK

With the desk kit ID5 DK, a base module can quickly and easily be placed on a desk. To ensure optimum usability, the ID5 DK positions the device at a 45° angle.



Desk kit ID5 DKAD

With the desk kit ID5 DKAD, a base module can flexibly be placed on a desk. Rubber foot and an anti slip strip enables optimal grip. With the ID5 DKAD, the tilt angle of the Intercom station can be adjusted individually to any setting between 30° and 60°.



ID5 TD CM
with adjustable desk kit ID5 TD DKAD



ID5 TD CM
with desk kit (45°) ID5 TD DK



ID5 TD CM
with desk kit (45°)
and handset ID5 TD DKHS

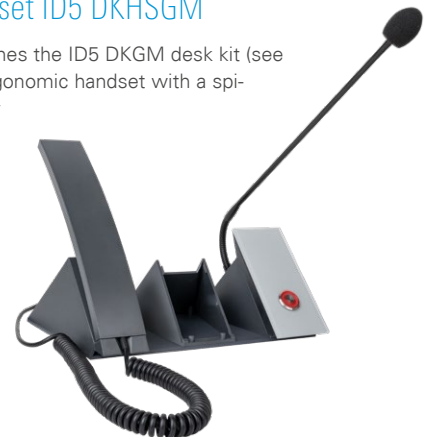
Desk kit with gooseneck microphone and PTT button ID5 DKGM

The ID5 DKGM desk kit supplements a base module with a gooseneck microphone and permits it to easily be placed on a desk. The PTT button with LED ring indicates when the microphone is active. If the push-to-talk function is not required, the button can be used for triggering actions and action sequences.



Desk kit with gooseneck microphone, PTT button and handset ID5 DKHSGM

The DKHSGM desk kit matches the ID5 DKGM desk kit (see left), but also includes an ergonomic handset with a spiral cable. The handset simply needs to be connected to the base module via USB.



Expansion module EB3E2A-AUD

The EB3E2A-AUD expansion module provides an easy way to expand the I/O and audio capabilities of a station. The expansion module is suitable for any applications where inputs and outputs are required. It has three inputs, two output relays and is prepared for direct connection of an external loudspeaker, external microphones, a handset and external audio devices via line-in and line-out connectors. The board can be connected to the station PCB through a USB cable and is immediately available in the system.



USB I/O module EB8E8A

A device can be quickly expanded with inputs and outputs using the USB I/O module. The total of 8 inputs and 8 outputs of the EB8E8A enable an easily scalable solution. The EB8E8A complies with Commend's strict cyber security guidelines, e.g. for switching outputs. The module is connected using USB.



USB I/O module EB1E1A

With the USB I/O module EB1E1A, a base module can be expanded with an input and a relay output (normally open contact). The EB1E1A can be connected to a free USB port. By doing this, a input as well as a floating, galvanically-isolated output contact is available immediately – e.g. for use with a door opener.



Induction loop kit AFIL-USB

With the AFIL-USB, a station can easily and quickly be equipped with an induction loop amplifier module. For this, only a free USB jack is required at the station. Thanks to its compact size, the AFIL-USB fits easily into a flush or surface mounting box.



Power injector PA 25W POE-DC

In applications where PoE sourcing equipment is not available, the optional power injector PA 25W POE-DC offers a compact, convenient solution. It supports a wide DC input range (24–48 V) and is IEEE 802.3af/at compliant. The power injector connects easily and conveniently to an Intercom station via Ethernet cable.



Safety switch box IP Secure Connector

The IP Secure Connector provides high performance and high, absolute security, even if the connected Intercom station is located outdoors: If an unauthorised attempt is made to remove the Intercom station, e.g. to access the connected Ethernet cable, the IP Secure Connector interrupts the connection to Intercom station and LAN. This ensures that it is neither possible to access the network nor to open a door or gate. Furthermore, the IP Secure Connector provides power supply in form of PoE+ and has two inputs and three outputs.



NOTE

The device supports connecting 1 USB device of the same type at any time.
Example: 1 EB3E2A-AUD and 1 EB1E1A.

Surface mount kit XDX SHID

With the surface mount kit XDX SHID made from polycarbonate, an Intercom station can be installed to any wall. The XDX SHID is especially designed for subsequent mounting to a wall or for mounting to thin walls.

The surface mount kit XDX SHID can be mounted to a flush mount wall box (acc. EN 60670-1; 60 mm/2.36 in screw distance; single or double box).



Surface mount kit XDX SH

With the surface mount kit XDX SH made of powder coated stainless steel, an Intercom station can be mounted on a wall. The XDX SH is primarily intended for subsequent installation on a wall or for installation on thin walls.

The surface mount kit XDX SH can be mounted to a flush mount wall box (acc. EN 60670-1; 60 mm/2.36 in screw distance; single or double box).



Gypsum wall/panel kit XDX FB

With the gypsum wall/panel mount kit XDX FB, an Intercom station can be installed e.g. in a drywall.



Surface mount kit XDX SHE

With the surface mount kit XDX SHE made of powder coated stainless steel, an Intercom station can be mounted on a wall. The XDX SHE is primarily intended for subsequent installation on a wall or for installation on thin walls. The XDX SHE provides extra space to install accessories (e.g. EB3E2A-AUD, AFIL-USB, TAMP-KIT, POE-SPLIT, PA25WPOE-DC or IP-BRIDGE).



Flush mount box XDX FBS

With the flush mount box XDX FBS, an Intercom station can be installed e.g. in a brick wall. The XDX FBS is designed for wall mounting during the construction or renovation phase. To mount the Intercom station, the gypsum wall/panel kit XDX FB is required.



Mounting kit XDX SHMM

With the mounting kit XDX SHMM, a surface mount kit XDX SH or XDX SHE can be mounted to a door mullion.



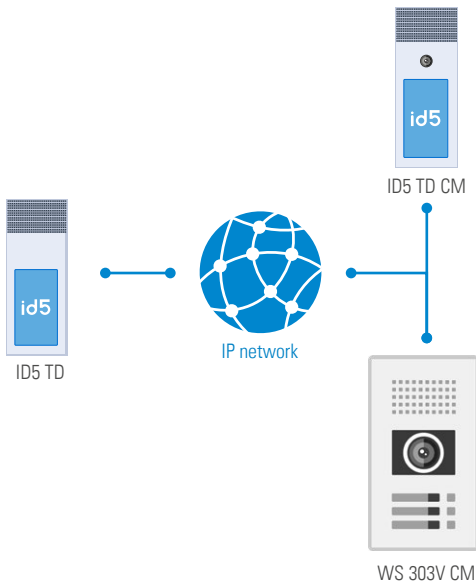
Dummy module for RFID readers XDX FBDUR

With the dummy module XDX FBDUR, RFID readers from 3rd-party systems can be installed using the same design as the Intercom station. The special materials of the XDX FBDUR ensure that electromagnetic signals from an RFID reader can be transmitted ideally.

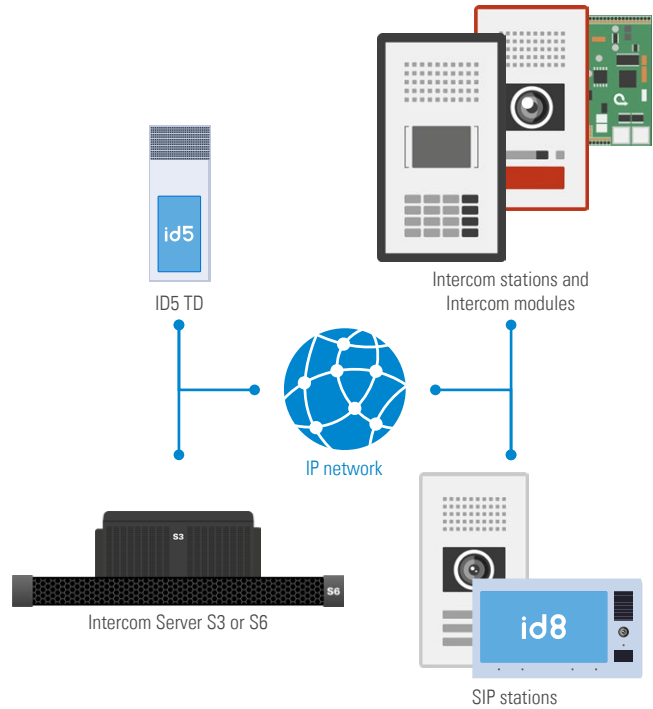


System overview

Operation with Symphony Mesh

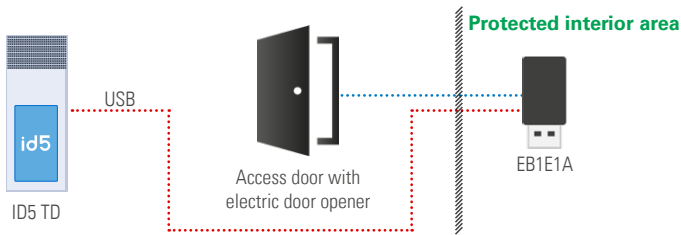


Operation with Symphony On-Prem

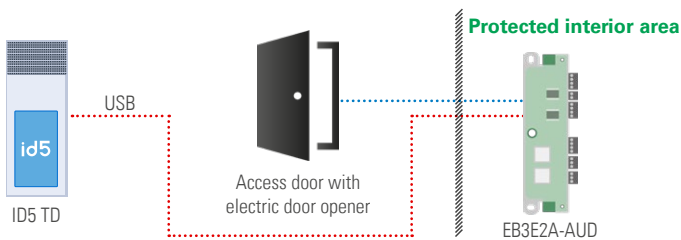


Wall application examples

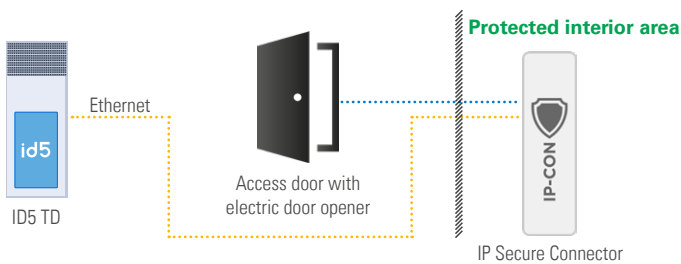
ID5TD with EB1E1A (1 input, 1 output, connected via USB)



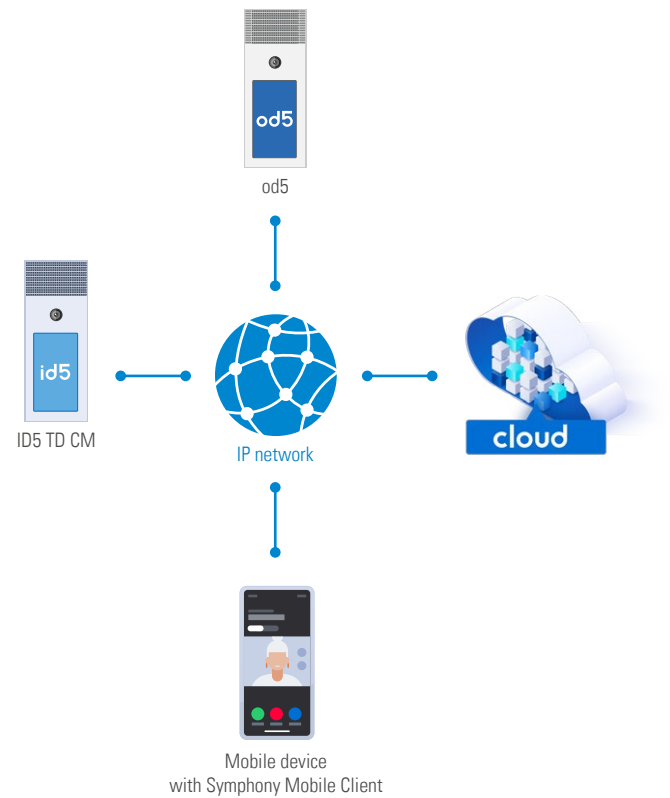
ID5TD with EB3E2A-AUD (3 inputs, 2 outputs, connected via USB)

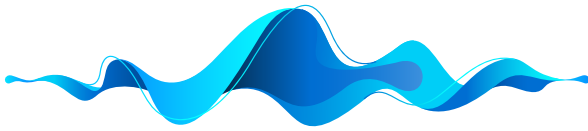


ID5TD with IP Secure Connector (2 inputs, 3 outputs, network security and PoE, connected via Ethernet)



Operation with Symphony Cloud





Passion meets audio

Ultimate speech intelligibility

Because every word matters, high speech intelligibility is crucial in security and communication solutions. In everyday life, it enables natural and brilliant communication; in operational processes, it ensures improved efficiency and in an emergency often buys life-saving time.

AI CLEANS VOICE FROM NOISE

Echo cancellation

Our advanced echo cancellation technology leverages the power of Commend's proprietary **deep neural networks** to deliver unparalleled clarity. Experience smooth and natural conversations without any noticeable echoes or delays, ensuring effective communication every time.

Background noise suppression

To ensure that the other party clearly understands what is being said despite high levels of ambient noise, dynamic background noise suppression together with **beamforming** reduces interfering signal components effectively.

Dynamic volume adjustment

IVC (Intelligent Volume Control) automatically adjusts the loudspeaker volume of the Intercom station depending on the environment noise level – because both, too low and too high a volume, significantly reduces speech intelligibility and the user experience.

Hands-free communication through OpenDuplex®

This technology from Commend, combined with highly sensitive microphones as well as a high volume, allows natural and hands-free communication within a unique radius of several metres.

High volume

When there is ambient noise, the Intercom station has sufficient reserves to put out the audio signal of the other party at a higher volume than any distracting background sounds.

Audio functions adding value

- **Loudspeaker-microphone surveillance** – constant availability of Intercom stations while greatly reducing the manual testing effort.
- **Simplex mode** – for applications requiring controlled communication, e.g. security or industrial solutions based on the push-to-talk/release-to-listen principle.
- **Audio monitoring** – fully automated (emergency) call triggering at defined sound pressure levels for more security.
- **Live sound pressure level** – continuous measurement of ambient noise with optional transfer to a management system through SNMP or HTTP-S (e.g. to visualise noise volumes).
- **Equalizer** – for fine-tuning to ambient acoustic conditions.
- **Public address functions** – as an essential element of a holistic solution approach, announcements can be made or played back at every Intercom station as well as responded to directly.

For more information, visit:
audio.commend.com



CERTIFIED
ACC. TO
ISO 27001
IEC 62443-4-1

Cyber security at Commend

Uncompromising protection against threats

IT infrastructures are facing a growing variety of cyber threats. This means that the defensive capabilities of each product in the system environment are key.

Security is above all a question of trust. At Commend, cyber security as a core competence has always been given a very high priority. From the initial product idea through implementation and operational support, privacy and security by design (PSBD) is the uncompromising target and promise to our customers against which product features and functions must be measured.

Cyber security as top priority

- Commend as well as the hardware and software development process is rigorously certified according to the standard **IEC/ISO 27001** and subject to a company-wide information security management system (ISMS)
- Commend is a member of the **Center for Internet Security (CIS)**
- Commend's Cyber Security Board ensures the handling and transparent communication of security vulnerabilities as well as the strategic hardening of Commend systems
- Commend is certified in accordance with the **IEC 62443-4-1** standard. The Commend development team implements secure communication and automation solutions in agreement with „Security by Design“ guidelines.
- Commend continuously publishes software updates with security patches and improvements

Physical security

- Robust devices and vandal-resistant product versions
- Tamper detection through electromechanical contacts
- USB and port-debugging protection

Network security

- **Standard IEEE 802.1x** for authentication (network access)
- **Standard IEEE 802.1q** for VLANs (network segmentation)
- Commend IP Secure Connector for automatic interruption of the network connection in the event of a tampering attempt

Data security

- **Encrypted and authenticated communication**
- **SIP over TLS v1.2** with secure cipher suites (> 128 bit)
- **SRTP** for tap-proof encryption of voice data
- **X.509 client certificates** for authentication and encryption
- TLS transport encryption for the protocols **HTTPS**, **SIPS** and **MQTT** to protect the web interface, APIs and video

Application security

- Mandatory change of the default password during the first login
- Minimum password length: 12 characters
- Detection of brute-force attacks at login
- Documentation and securing of network ports

Information about the cyber security of other Commend products can be found in the respective data sheets and product manuals.

For more information, visit:
trust.commend.com

id5

Technical specifications

Technical data id5

IP rating:	IP40 (acc. to EN 60529)
Mechanical impact resistance:	IK08 (acc. to EN 62262)
Microphone:	two digital MEMS microphones
Loudspeaker:	special membrane type for optimal sound quality
Amplifier:	integrated class-D amplifier with 2,5 W
Sound pressure level:	max. 95 dB at 0.5 m (1.6 ft)/89 dB at 1 m (3.3 ft)
Display:	5" touch display (TFT) resolution: 720 x 1280 pixels luminance: typ. 680 cd/m ²
Audio bandwidth:	up to 20 kHz
Audio codecs:	Opus, G.722, G.711 a-law and G.711 u-law
Video features:	codecs: H.264 (SIP video and ONVIF), Motion JPEG (HTTP video and ONVIF) and RTSP ONVIF specification: ONVIF Profile S
IT security:	SIP over TLS, SRTP, IEEE 802.1X, MJPEG via HTTPS, HTTPS for accessing the web interface and interfaces
Protocols:	IPv4, IPv6, TLS, TCP, UDP, HTTP (RFC 2617, RFC 3310), HTTPS (RFC 2818), RTP (RFC 3550), RTSP (RFC 2326), SIP over TLS, RTP, DHCP, DHCPv6, DNSv4, DNSv6, mDNS, 802.1x EAP-TLS (RFC 5216), 802.1x EAP-MD5 (RFC 2284), SDP (RFC 2327, RFC 4566), SSDP, SIP (RFC 3261), SMTP, SNMPv2c, SNMPv3, SNMPv4 (RFC 5905, Section 14), STUN (classicstun), DTMF Decoding (RFC 2976, RFC 2833, SIP Info), ICMPv6 (Router discovery), MQTT (ISO/IEC 20922)
Operating temperature range:	0 °C to +50 °C (+32 °F to +122 °F)
Storage temperature range:	-20 °C to +70 °C (-4 °F to +158 °F)
Relative humidity:	up to 90%, not condensing
Connection:	RJ45 jack for Ethernet and PoE (10/100 Mbit/s) 2 x 2.0 USB (Type A) for external devices ¹⁾
Power supply ²⁾:	PoE: IEEE 802.3af/802.3at Type 1 Class 0
Power consumption:	ID5 TD(-B) idle: 2.5 W (without accessories) ID5 TD(-B) max.: 11.3 W (video call, with 2.5 W load on both USB ports) ID5 TD CM(-B) idle: 3.1 W (without accessories) ID5 TD CM(-B) max.: 12.8 W (video call, with 2.5 W load on both USB ports)
Cabling:	min. Cat. 5, shielded ³⁾

Technical data camera (ID5 TD CM and ID5 TD CM-B only)

Image sensor:	1/3 in RGB CMOS
Lens:	F2.4, fixed aperture, 130° diagonal angle, 125° horizontal angle, 100° vertical angle
Minimum illumination:	B/W: 1 lux colour: 1.5 lux
Resolution (W x H):	1280 x 960 px
Frame rate:	up to 30 fps
Video streaming:	simultaneously up to 6 HTTP(S)/RTSP H.264 video streams with individual resolution or frame rate and simultaneously up to 6 HTTP(S) MJPEG video streams with individual resolution or frame rate



Approvals and compliances:	EN 61000-6-2, EN 61000-6-3, EN 55032 Class B, EN 55035, FCC Part 15 Class B, ICES-003 Class B, EN 60529 IP40, EN 62262 IK08, EN 62368-1, IEC 62368-1 (CB Scheme), UL 62368-1 (Listed E351589)
Wall mounting:	gypsum wall/panel mount kit XDX FB flush mount box XDX FBS (requires XDX FB) surface mount kit XDX SH or XDX SHID
Dimensions (H x W x D):	with flush mount kit: 228 x 86 x 11 mm (8.98 x 3.38 x 0.43 in) with surface mount kit: 228 x 86 x 28 mm (8.98 x 3.38 x 1.10 in)
Colours:	ID5 TD, ID5 TD CM: silver ID5 TD-B, ID5 TD CM-B: black
Weight incl. packaging:	approx. 600 g (1.32 lbs)
Optional accessories:	ID5 DKAD (adjustable desk kit) ID5 DK (desk kit) ID5 DKHS (desk kit with handset) ID5 WMHS (wall kit with handset) ID5 DKGM (desk kit with gooseneck microphone and PTT button) ID5 DKHSGM (desk kit with gooseneck microphone, PTT button and handset) AFIL-USB (induction loop kit) EB1E1A (USB I/O module) EB8E8A (USB I/O module) EB3E2A-AUD (expansion module) IP Secure Connector (safety switch box) PA 25W POE-DC (power injector)

¹⁾ The USB connections are only intended for use with Commend devices. Do not use the USB jacks e.g. to charge mobile phones. If a USB device should be installed separately using a USB extension cable, the USB cable length must not exceed 5 m. To comply with UL 62368-1 (cULus), the length of the USB cable shall not exceed 3.05 m. All USB connectors are declared and proved PS1 USB ports (acc. to EN/UL/IEC 62368-1).

²⁾ For power supply, a PoE switch or PoE injector is required (not included in extent of supply).

³⁾ The maximum line length of Cat. 5 cabling in a LAN is 100 m (328 ft) – e.g. from switch to Intercom station.

System requirements

Server

- VirtuoSIS (min. version 5.0) or
- S3/S6 (min. version 7.1) or
- Compatible SIP server or
- Serverless operation

Configuration software

- Set-UP min. version 1.5.3

Extent of supply

- Intercom station
- Microfiber cloth
- TX 08 screwdriver
- Device identification document
- Open source compliance information
- Short reference

id5

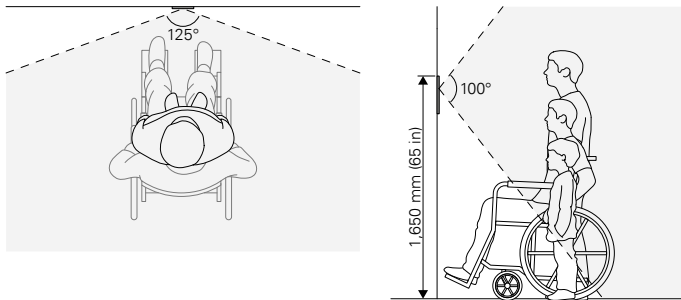
Installation instructions

Mounting instructions

- Do not place the device in areas where it may become wet or damp, and avoid dusty, humid and high temperature environments.
- The device has been designed for indoor use only.
- The device must not be exposed to direct sunlight or UV rays.
- For installing the Intercom station, the following mount kits are available separately: XDX FB, XDX SH, XDX SHE, XDX SHMM, XDX SHID.
- Do not install the Intercom station on unstable walls or on surfaces, which cannot support the device's weight.
- Make sure the mount kit is not subject to torsional forces (e.g. on uneven walls).
- No water may penetrate into the mount kit. Therefore, make sure it is waterproof (towards the wall).
- For mounting with the surface mount kit XDX SH or the gypsum wall/panel mount kit XDX FB, it is not possible to use an Ethernet field cable with crimp connector for direct connection to the device due to space limitations.
- If a field cable is used, it is recommended to install an RJ45 crimp jack (e.g. MODJ8-8KUPPL) at the open end of the field cable. Use a patch cable to connect the device to the RJ45 crimp jack.
- Use moistened microfibre cloths for cleaning the Intercom station.

Recommended mounting height

The upper edge of the Intercom station approx. 1,650 mm (65 in) from the finished floor. Adapt the mounting height to the individual needs.



NOTE: Accessibility

- For a barrier-free accessibility, it is recommended to mount the Intercom station with sufficient distance to walls or corners.
- When mounting the Intercom station ID5 TD CM, pay attention to the correct camera angle in terms of accessibility so that wheelchair users and children can be detected by the camera:
100° (vertical) x 125° (horizontal)

Safety instructions

- This Intercom station shall be installed or replaced by trained and qualified personnel only.
- Observe the country-specific standards for installation, mounting and configuration.
- Only use Commend accessories that comply with the Intercom station's technical specifications.
- The front of the Intercom station is made of glass. Do not use the Intercom station when the glass is damaged.
- Devices belonging to another earthing network must not be connected to the device's connectors.
- All connected circuits shall fulfil the following requirements:
 - Safety Extra Low Voltage (SELV) and Limited Power Source (LPS) according to IEC/EN 60950-1 or
 - ES1, PS2 circuits and Annex Q (Limited Power Source) according to IEC/EN/UL 62368-1
- Disconnect the Ethernet cable for any maintenance of the device.
- Do not make any modifications to the Intercom station.
- This equipment has been tested and found to comply with the limits for a Class B digital device, pursuant to part 15 of the FCC Rules. These limits are designed to provide reasonable protection against harmful interference in a residential installation. This equipment generates, uses and can radiate radio frequency energy and, if not installed and used in accordance with the instructions, may cause harmful interference to radio communications. However, there is no guarantee that interference will not occur in a particular installation. If this equipment does cause harmful interference to radio or television reception, which can be determined by turning the equipment off and on, the user is encouraged to try to correct the interference by one or more of the following measures:
 - Reorient or relocate the receiving antenna.
 - Increase the separation between the equipment and receiver.
 - Connect the equipment into an outlet on a circuit different from that to which the receiver is connected.
 - Consult the dealer or an experienced radio/TV technician for help.

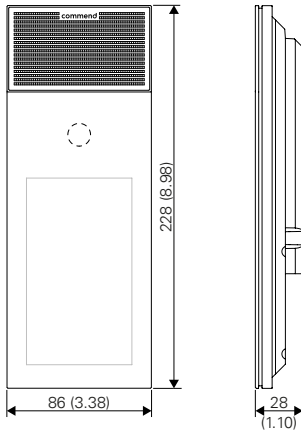
Access

The device can be accessed through IPv4 (DHCP), IPv6 (link-local) and zero-conf. For information on accessing the web interface, see the product manual.

Dimensions

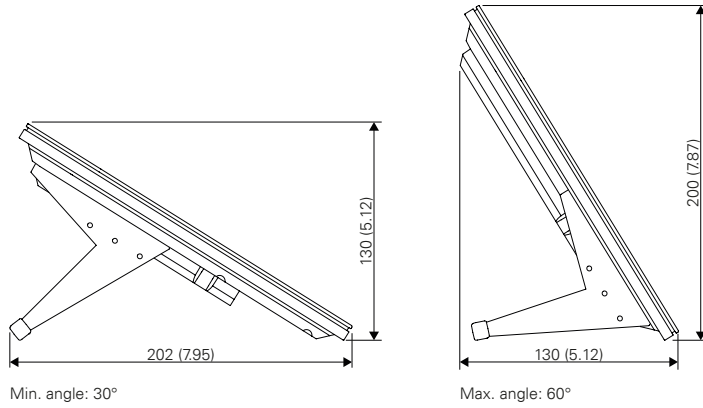
ID5 TD/ID5 TD CM

Measuring units in mm (in), not to scale!



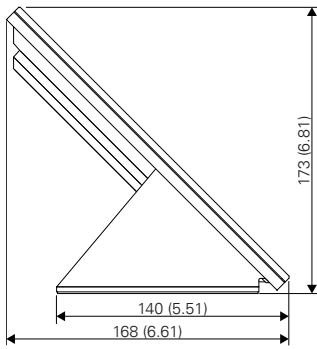
ID5 TD/ID5 TD CM with desk kit ID5 DKAD (min. and max. angle)

Measuring units in mm (in), not to scale!



ID5 TD/ID5 TD CM with desk kit ID5 DK

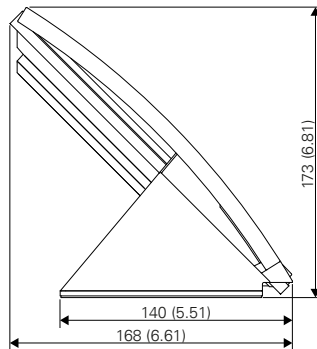
Measuring units in mm (in), not to scale!



Width: 86 (3.38)

ID5 TD/ID5 TD CM with desk kit with handset ID5 DKHS

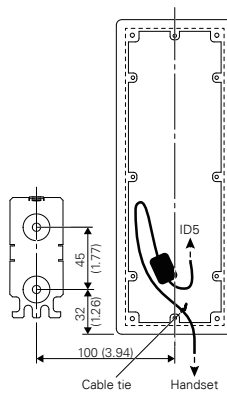
Measuring units in mm (in), not to scale!



Width: 215 (8.46)

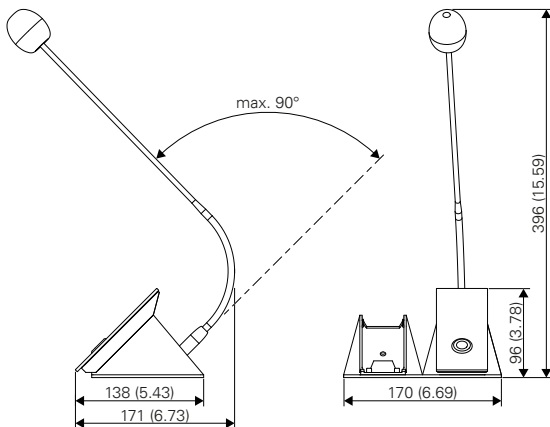
Wall kit with handset ID5 WMHS

Measuring units in mm (in), not to scale!



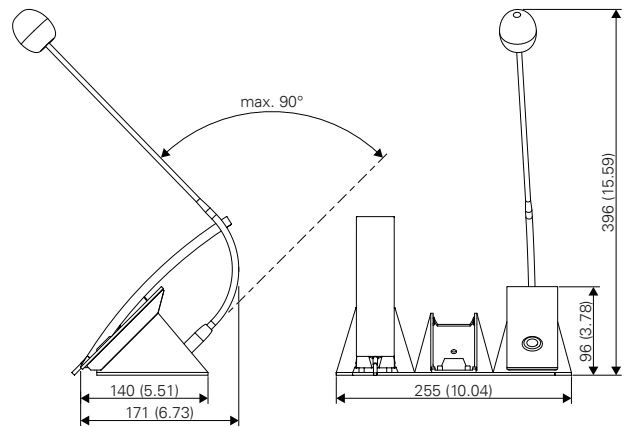
Desk kit with gooseneck microphone ID5 DKGM

Measuring units in mm (in), not to scale!



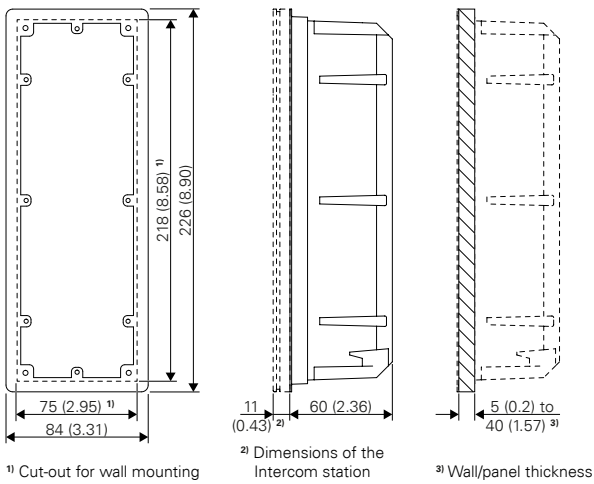
Desk kit with gooseneck microphone and handset ID5 DKHSGM

Measuring units in mm (in), not to scale!



Gypsum wall/panel mount kit XDX FB

Measuring units in mm (in), not to scale!



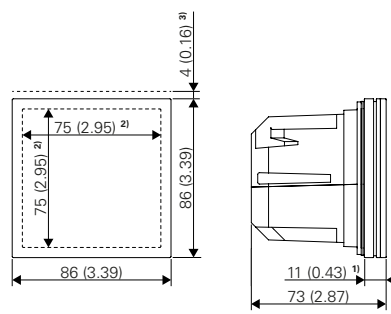
¹⁾ Cut-out for wall mounting

²⁾ Dimensions of the Intercom station

³⁾ Wall/panel thickness

Dummy module for RFID readers XDX FBDUR

Measuring units in mm (in), not to scale!



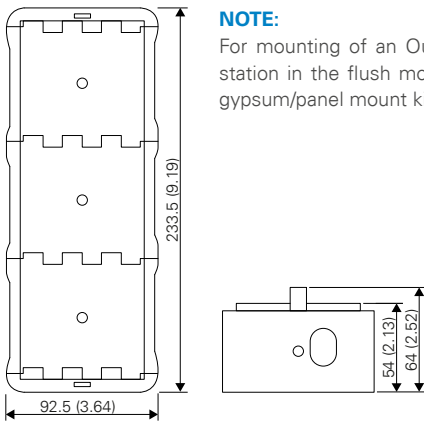
¹⁾ Projection on the wall

²⁾ Wall cutout

³⁾ Minimum mounting distance to Intercom station

Flush mount box XDX FBS

Measuring units in mm (in), not to scale!

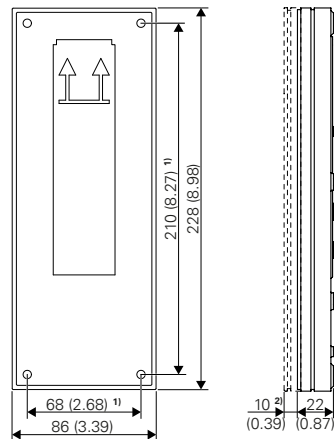


NOTE:

For mounting of an Outdoor series Intercom station in the flush mount box XDX FBS, the gypsum/panel mount kit XDX FB is required.

Surface mount kit XDX SHID

Measuring units in mm (in), not to scale!

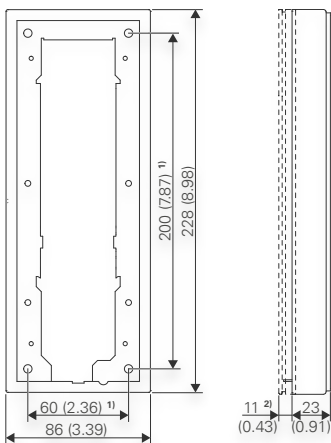


¹⁾ Dimensions for wall holes (ø 5 mm/0.2 in)

²⁾ ID5 TD

Surface mount kit XDX SH

Measuring units in mm (in), not to scale!

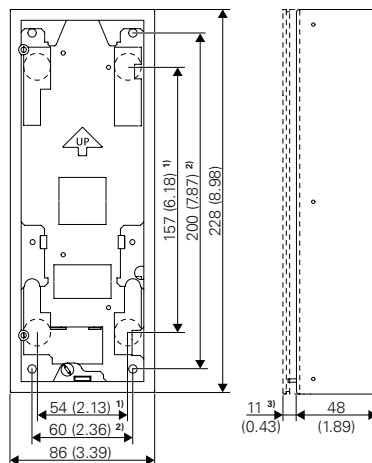


¹⁾ Dimensions for wall holes (ø 5 mm/0.2 in)

²⁾ Dimensions of the Intercom station

Surface mount kit XDX SHE

Measuring units in mm (in), not to scale!



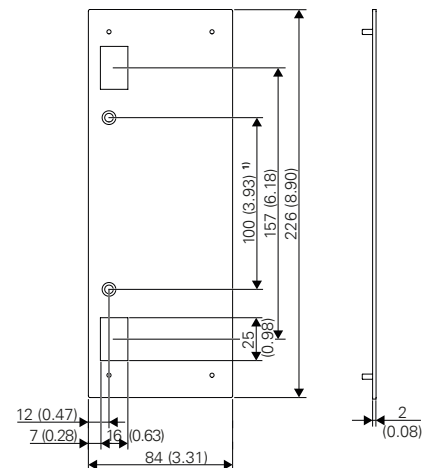
¹⁾ Dimensions for cable feed-through (ø 14 mm/0.55 in)

²⁾ Dimensions for mounting holes (ø 5 mm/0.2 in)

³⁾ Dimensions of the Intercom station

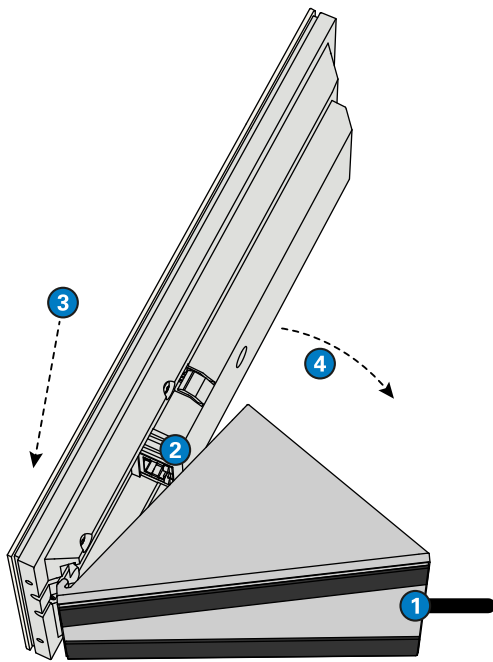
Door mullion mount kit XDX SHMM

Measuring units in mm (in), not to scale!



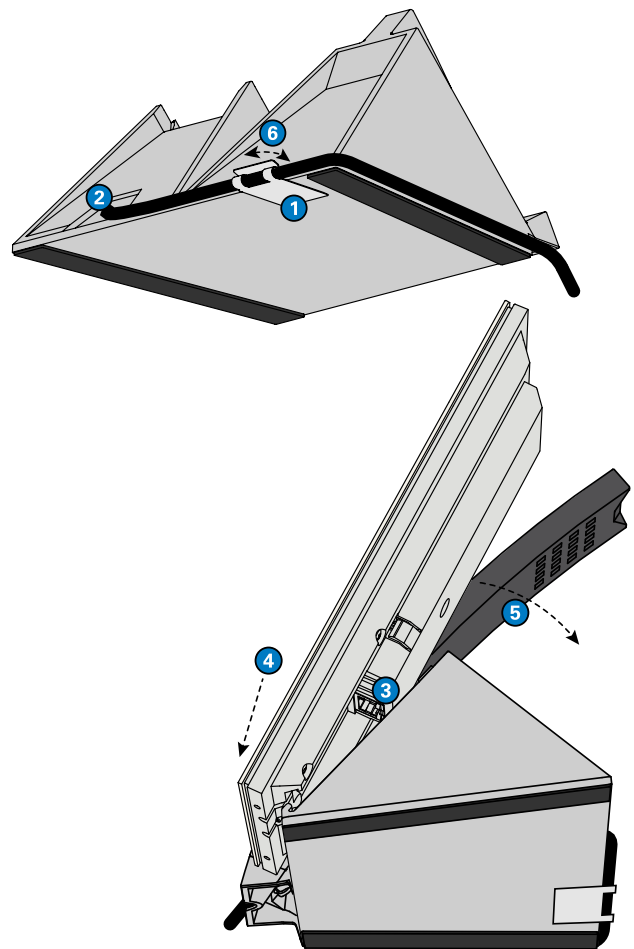
¹⁾ Dimensions for boreholes (ø 5 mm/0.2 in)

Desk mounting with ID5 DK



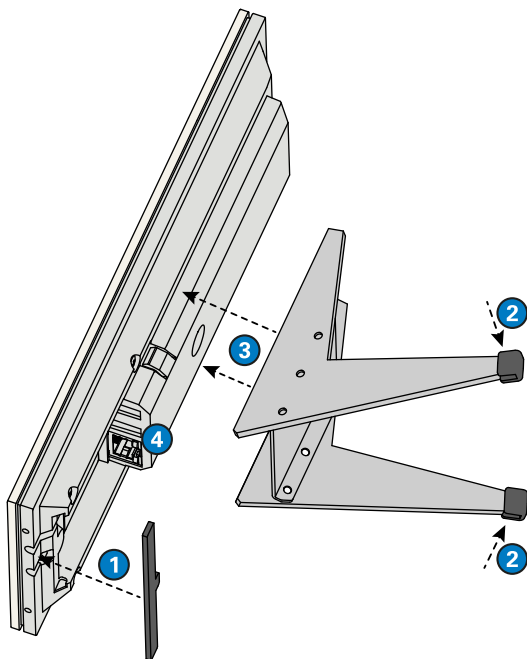
- 1 Guide the required cables through the opening on the rear of the desk kit (Ethernet and USB cable, if needed).
- 2 Connect the cables.
- 3 Put the Intercom station onto the desk kit, lower end first.
- 4 Press the Intercom station onto the desk kit so that it snaps in place.

Desk mounting with ID5 DKHS



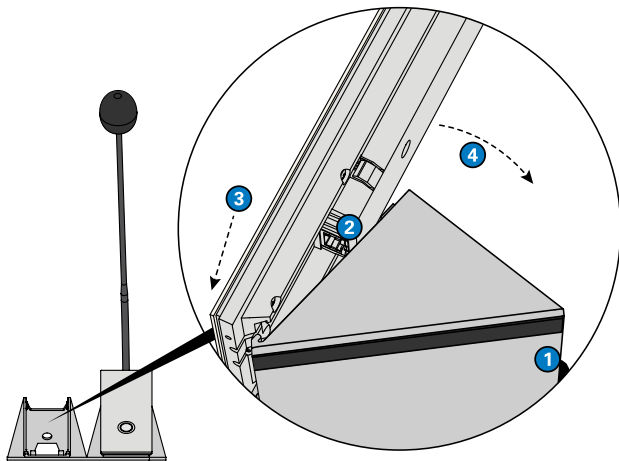
- 1 Remove the protection film from the adhesive strip and stick the cable clip on the desk kit in a way that the cut-out border forms a line with the housing (see illustration above).
- 2 Guide the required cables through the opening on the rear of the desk kit (Ethernet cable and USB cable of the handset).
- 3 Connect the cables to the Intercom station.
- 4 Put the Intercom station onto the desk kit, lower end first.
- 5 Press the Intercom station onto the desk kit so that it snaps in place.
- 6 Bend open the cable clip, guide through the USB cable of the handset and bend back the cable clip so that the USB cable is fixed.

Desk mounting with ID5 DKAD



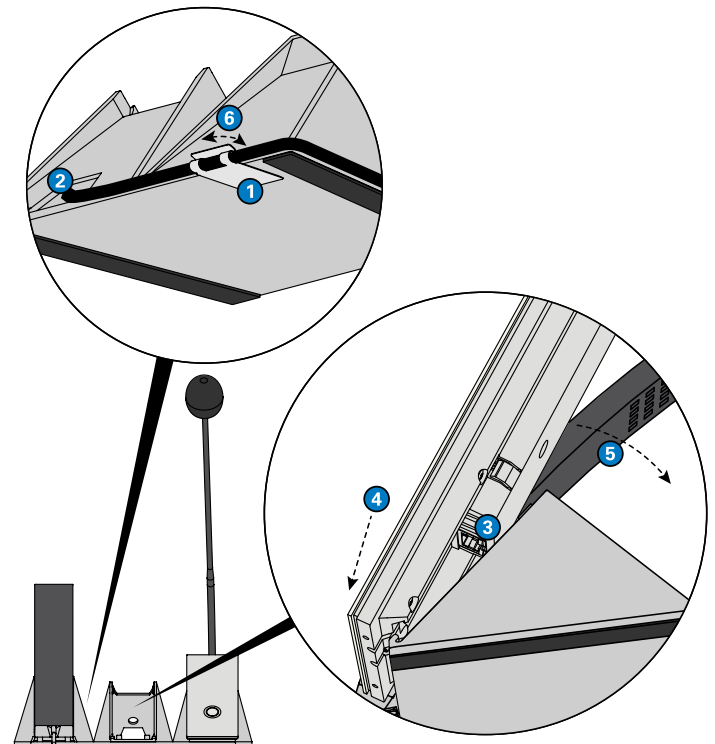
- 1 Stick the supplied anti-slip strip onto the rear lower end of the Intercom station.
- 2 Press the two rubberised ends of the foot stand together.
- 3 Position the foot stand as desired on the rear of the Intercom station and release the rubberised ends.
- 4 Connect the required cables (Ethernet and USB cable, if needed).

Desk mounting with ID5 DKGM



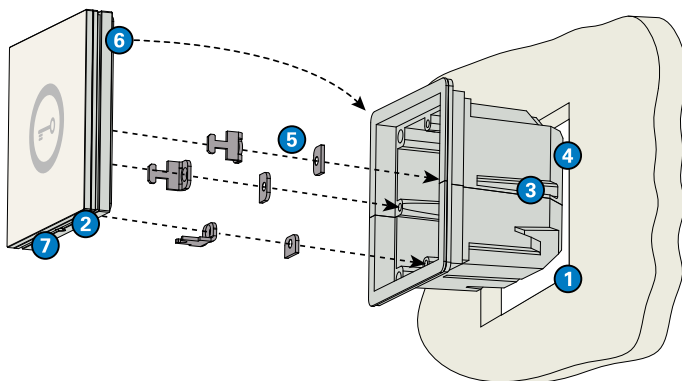
- 1 Guide the required cables through the opening on the rear of the desk kit (Ethernet cable and USB cable of the gooseneck microphone/PPT button).
- 2 Connect the cables to the Intercom station.
- 3 Place the Intercom station onto the desk kit, lower end first.
- 4 Press the Intercom station onto the desk kit until it snaps into place.

Desk mounting with ID5 DKHSGM



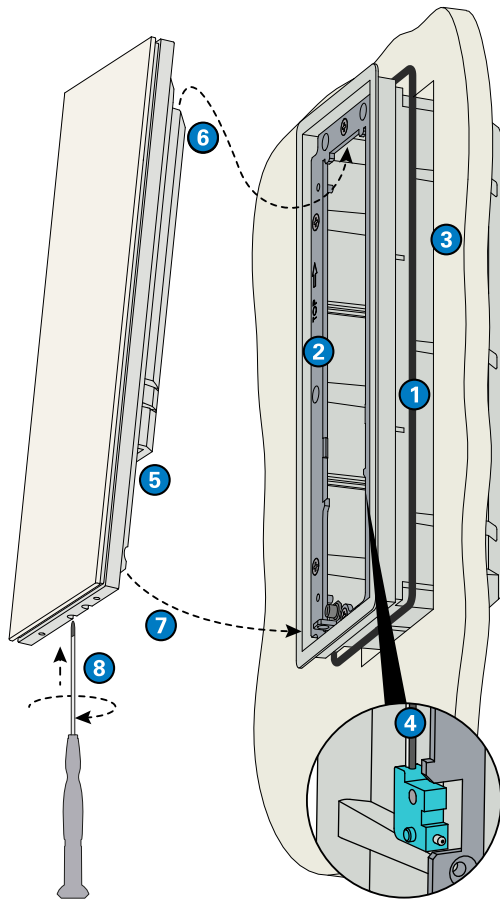
- 1 Remove the protective film from the adhesive strip and attach the cable clip on the desk kit so that the edge of the cut-out aligns with the housing (see illustration above).
- 2 Guide the required cables through the opening on the rear of the desk kit (Ethernet cable and USB cables of the handset and the gooseneck microphone/PPT button).
- 3 Connect the cables to the Intercom station.
- 4 Place the Intercom station onto the desk kit, lower end first.
- 5 Press the Intercom station onto the desk kit until it snaps into place.
- 6 Bend open the cable clip, guide the USB cable from the handset through it, then close the cable clip again to fix the USB cable in place.

Wall mounting with XDX FBDUR



- 1 Cut out an opening in the wall using the supplied template as a guide.
- 2 Screw in the locking screw on the XDX FBDUR clockwise as far as it will go and lift the frame off towards the locking screw.
- 3 Depending on the cable feed used, break out one of the cable glands.
- 4 Position the mounting box so that the self-locking notch points downwards. Insert the mounting box into the wall. Press the four claw clamps on the sides of the mounting box outwards and tighten them using the screws (TX 08).
- 5 Attach the RFID reader to the frame or install it in the mounting box. Do not remove the fixing brackets when attaching the RFID reader to the frame. To install the RFID reader in the mounting box, remove the fixing brackets and spacer plates, insert the RFID reader and reattach the fixing brackets on the PCB in parallel with the frame. RFID readers with a PCB thickness between 1.4 mm and 1.6 mm can be installed in the mounting box.
- 6 Position the frame so that the locking screw points downwards. Place the frame onto the fixing brackets.
- 7 Press the frame firmly against the mounting box and screw the locking screw counterclockwise as far as it will go. Ensure that the frame is locked in place.

Wall mounting with XDX FB

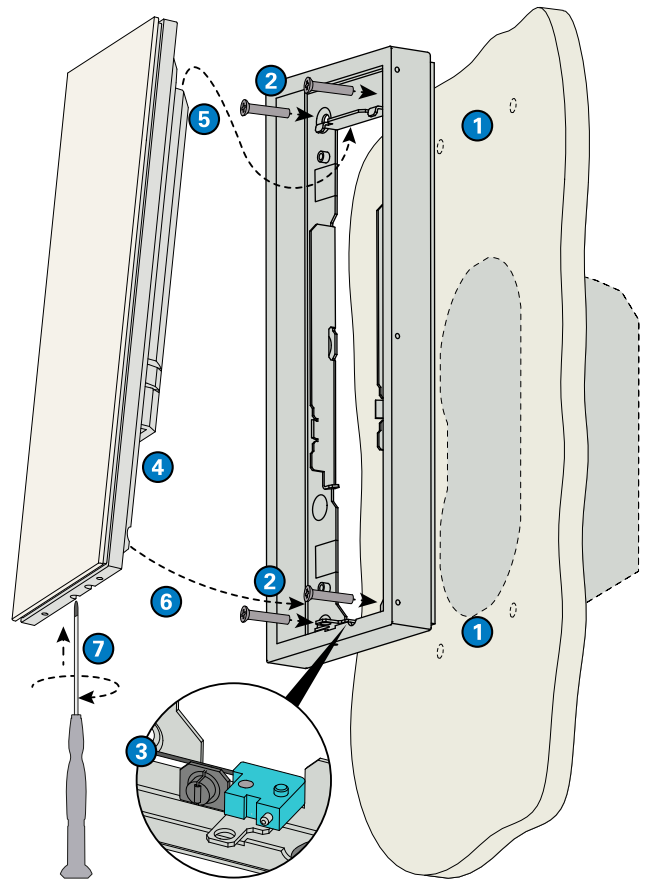


- 1 If necessary, stick the supplied gasket onto the mounting box.
- 2 Make sure the arrows on the mounting frame point upwards.
- 3 Install the mounting box to the wall by means of the supplied drilling template. Press the four claw clamps on the sides of the mounting box outwards and tighten them using the corresponding screws (PZD2).
- 4 If required, mount the tamper switch TAMP-KIT (not included in the extent of supply; for mounting details, see respective short reference).
- 5 Connect the cables.
- 6 Insert the Intercom station at the top of the mounting frame.
- 7 Press the Intercom station with its lower end onto the mounting box.
- 8 Turn the locking screw anti-clockwise down as far as it will go using the TX8 screwdriver (included in the extent of supply of the Intercom station). Check whether the lower end of the Intercom station is fixed on the mounting frame.

NOTE:

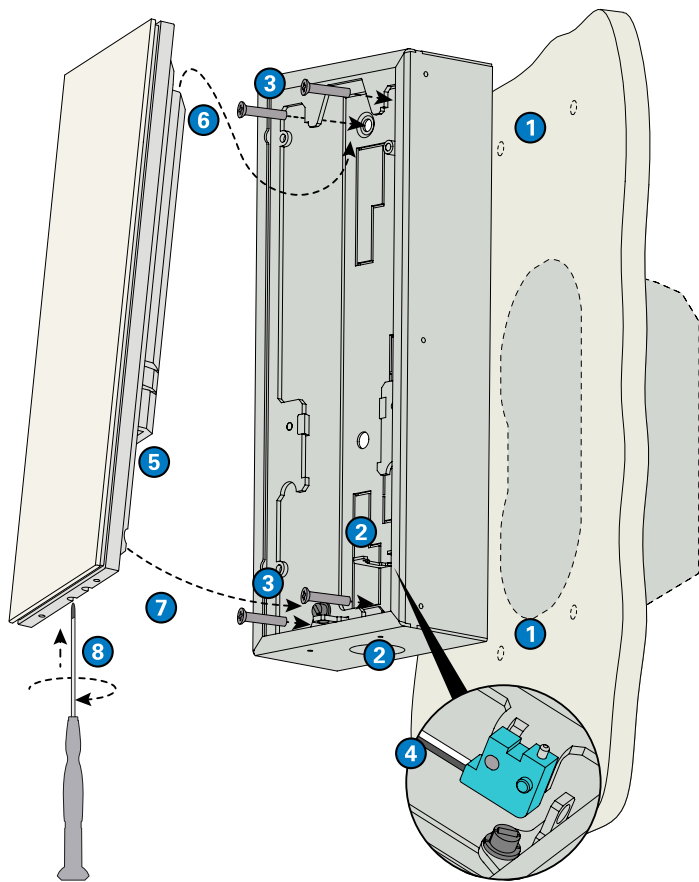
For mounting on brick walls, additionally the flush mount box XDX FBS is required (not included in the extent of supply). In this case, mount the flush mount box XDX FBS in the wall and then continue with 1.

Surface mounting with XDX SH



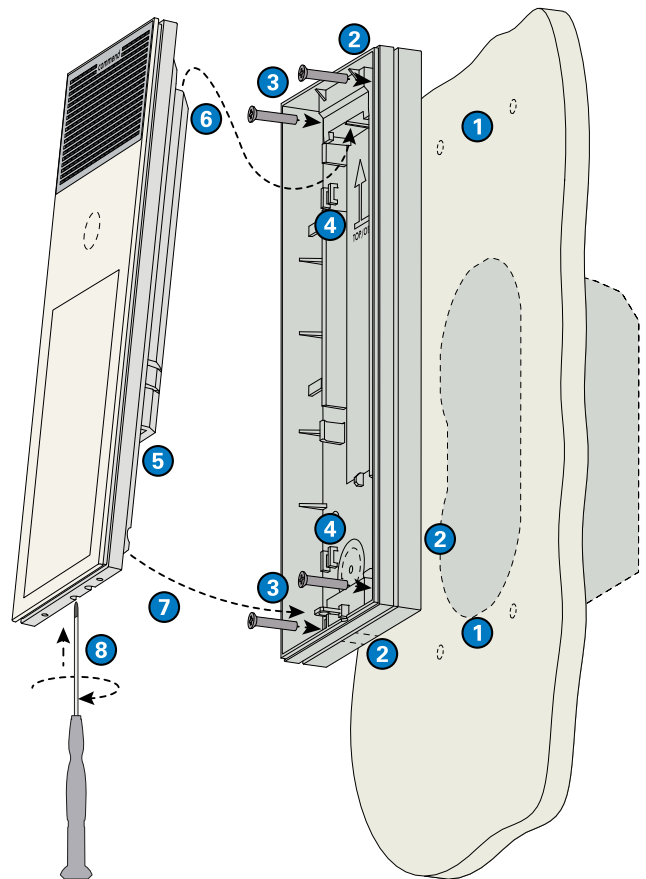
- 1 Drill four holes in the wall (see "Dimensions") and insert the supplied wall plugs.
- 2 Install the surface mount kit to the wall using the supplied mounting screws (the locking element must be at the lower end).
- 3 If required, mount the tamper switch TAMP-KIT (not included in the extent of supply; for mounting details, see respective short reference).
- 4 Connect the cables.
- 5 Insert the Intercom station at the top of the surface mount kit.
- 6 Press the Intercom station with its lower end firmly onto the surface mount kit.
- 7 Turn the locking screw anti-clockwise down as far as it will go using the Tx08 screwdriver (included in the extent of supply of the Intercom station). Check whether the lower end of the Intercom station is fixed on the surface mount kit.

Surface mounting with XDX SHE



- 1 Drill four holes in the wall (see "Dimensions") and insert the supplied wall plugs.
- 2 Break out one of the provided cable entries depending on cable supply (see also hatched areas at "Mounting points"). Guide the required cables (Ethernet and USB cable, if needed) through the cable entry.
- 3 Install the surface mount kit to the wall using the supplied mounting screws (the arrow "UP" must point upwards).
- 4 If required, mount the accessories (not included in the extent of supply; see "Mounting points").
- 5 Connect the cables.
- 6 Insert the Intercom station at the top of the surface mount kit.
- 7 Press the Intercom station with its lower end firmly onto the surface mount kit.
- 8 Turn the locking screw anti-clockwise down as far as it will go using the Tx08 screwdriver (included in the extent of supply of the Intercom station). Check whether the lower end of the Intercom station is fixed on the surface mount kit.

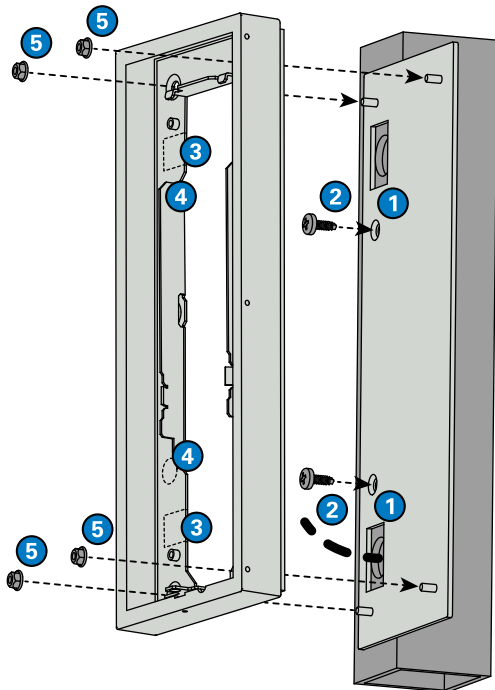
Surface mounting with XDX SHID



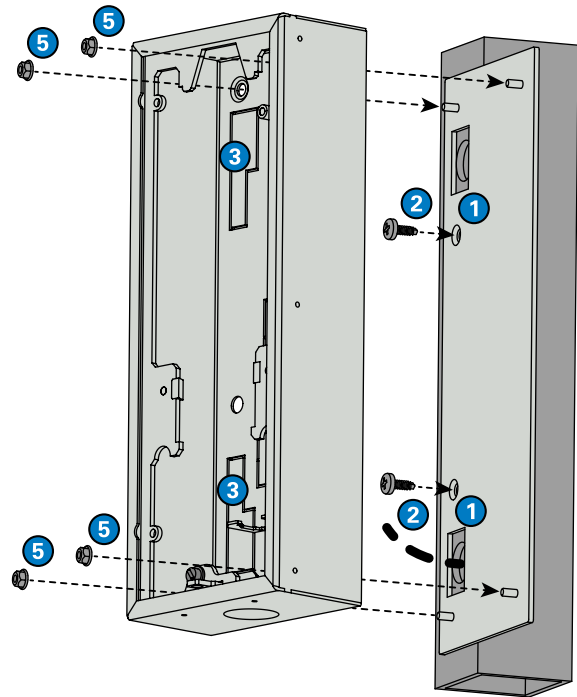
- 1 Drill four holes in the wall (see "Dimensions") and insert the supplied dowels.
- 2 Cut out one of the provided cable entries depending on cable supply (from top, bottom or rear, see "Cable run") and guide the required cables through those entries (Ethernet and USB cable, if needed).
- 3 Install the surface mount kit to the wall using the supplied mounting screws (the arrows must point upwards).
- 4 Fix the Ethernet cable on the provided strain-relief using the supplied cable tie (see "Cable run").
- 5 Connect the cables.
- 6 Insert the Intercom station at the top of the surface mount kit.
- 7 Press the Intercom station with its lower end onto the surface mount kit.
- 8 Turn the locking screw clockwise down as far as it will go using the Tx08 screwdriver (included in extent of supply of the ID5 TD). Check whether the lower end of the Intercom station is fixed on the surface mount kit.

Surface mounting with XDX SHMM

Mounting with XDX SH



Mounting with XDX SHE



- 1 Drill two mounting holes in the door mullion (see "Dimensions"). A borehole with a diameter of 3.5 mm is required for the supplied self-tapping screws. Prepare a hole for the cable gland.
- 2 Mount the mounting plate on the door mullion using two self-tapping screws so that the mounting bolts face away from the door mullion. Guide the cable through the opening. The mounting kit is symmetrical and can be installed with the openings on the left or right. It is recommended to seal the mounting plate to the door mullion.
- 3 Depending on the mounting side, break out the provided cable openings.
- 4 (Mounting with XDX SHE only) Depending on the mounting side, break out the mounting holes.
- 5 Mount the surface mount box XDX SH or XDX SHE on the mounting plate using the four nuts.

Quality tested. Reliable. Smart.

COMMEND products are developed and manufactured by Commend International in Salzburg, Austria.

The development and manufacturing processes are certified in accordance with **EN ISO 9001:2015**.



The technical data contained herein has been provided solely for informational purposes and is not legally binding. Subject to change, technical or otherwise. lolP®, OpenDuplex® and Commend® are trademarks registered by Commend International GmbH. All other brands or product names are trademarks or registered trademarks of the respective owner and have not been specifically earmarked.

A strong worldwide network

COMMEND is represented all over the world by local Commend Partners and helps to improve security and communication with tailored Intercom solutions.

www.commend.com