

MIC 480

The microphone that suits all needs



16 kHz

Highly sensitive

Weather proof

Speech optimised

Superb transmission quality under any condition

Creating a small-scale microphone without compromising functionality can be quite a challenge, especially if the device is intended for outdoor environments, where it is subject to various climatic conditions. Commend has come up with an uncompromisingly effective solution to the problem: MIC 480 is specifically designed to transmit voice sound at the usual high quality while guarding against various forms of weather-specific interference.

Probably one of the most unfavourable causes of interference is exposure to rain. That's why the MIC 480 has a distinct shape that prevents rainwater from getting inside. It does so by effectively using the mechanics of surface tension in order to redirect the fluid. Also, the specially designed cavity provides a speech-optimised frequency response that enhances the audibility of the human voice range.

MIC 480 is typically installed on intercom terminals in parking columns, ticket machines or elevator panels, or it is used as a customer-side microphone for counter intercoms. This versatility makes the microphone suitable for almost any existing intercom solution and ready for future systems. The large number of units sold over more than two decades is proof of the design quality and reliability of this precision-crafted device.

MIC 480

Technical Specifications



Technical Data

IP rating:	IP53
Type:	built-in electret condenser microphone
Sensitivity:	-42±3 dB (0 dB = 1 V/Pa, 1 kHz)
Speaking distance:	max. 7 m (23 ft)
Directivity:	omnidirectional
Standard operating voltage:	1–10 V
S/N ratio:	more than 60 dB
Temperature range:	
	MIC 480 (as of Rev. 3.0): -40 °C to +70 °C (-40 °F to +158 °F)
	MIC 480S-08: -40 °C to +70 °C (-40 °F to +158 °F)
	MIC 480S-12: -40 °C to +70 °C (-40 °F to +158 °F)
	MIC 480AJ: -20 °C to +60 °C (-4 °F to +140 °F)
Cable length (shielded):	MIC 480: 4 m (13.12 ft) MIC 480S-08: 0.8 m (2.62 ft) MIC 480S-12: 1.2 m (3.94 ft) MIC 480AJ: 2 m (6.56 ft)
Transmission bandwidth:	16 kHz
Connection:	MIC 480, MIC 480S-08, MIC 480S-12: open cable end MIC 480AJ: 3.5 mm stereo audio jack
Housing panel thickness:	1.5 mm (0.06) to 10 mm (0.39 in)
Dimensions:	14 x 20 mm (0.55 x 0.79 in)
Weight incl. package:	MIC 480: approx. 56 g (0.12 lbs) MIC 480S-08: approx. 21 g (0.05 lbs) MIC 480S-12: approx. 34 g (0.07 lbs) MIC 480AJ: approx. 44 g (0.10 lbs)

Extent of supply

- Microphone (incl. mounting accessories)
- Short reference

Product versions

- **MIC 480:** open cable end, cable length 4 m (13.12 ft)
- **MIC 480S-08:** open cable end, cable length 0.8 m (2.62 ft)
- **MIC 480S-12:** open cable end, cable length 1.2 m (3.94 ft)
- **MIC 480AJ:** 3.5 mm audio jack plug, cable length 2 m (6.56 ft)

Accessories

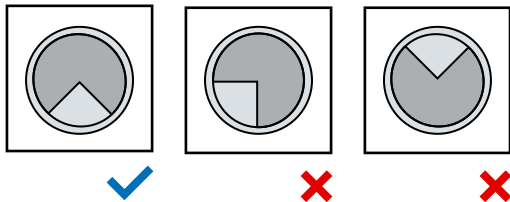
- windBRUSH® (to be ordered separately)
A special windscreen which eliminates sound distortions that are caused by air swirls; for locations that are exposed to strong winds or a large amount of passing vehicles



Installation

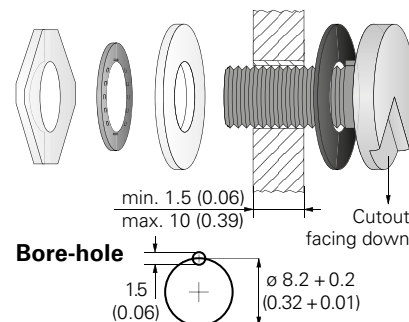
Caution

In order to guarantee the full rainwater protection, the microphone has to be mounted with the opening pointing downwards.



Mounting the MIC 480

Measuring units in mm (inch), not to scale!



Quality tested. Reliable. Smart.

COMMEND products are developed and manufactured by Commend International in Salzburg, Austria.

The development and manufacturing processes are certified in accordance with **EN ISO 9001:2015**.

A strong worldwide network

COMMEND is represented the world over by local Commend Partners and helps to improve security and communication with tailored Intercom solutions.

www.commend.com