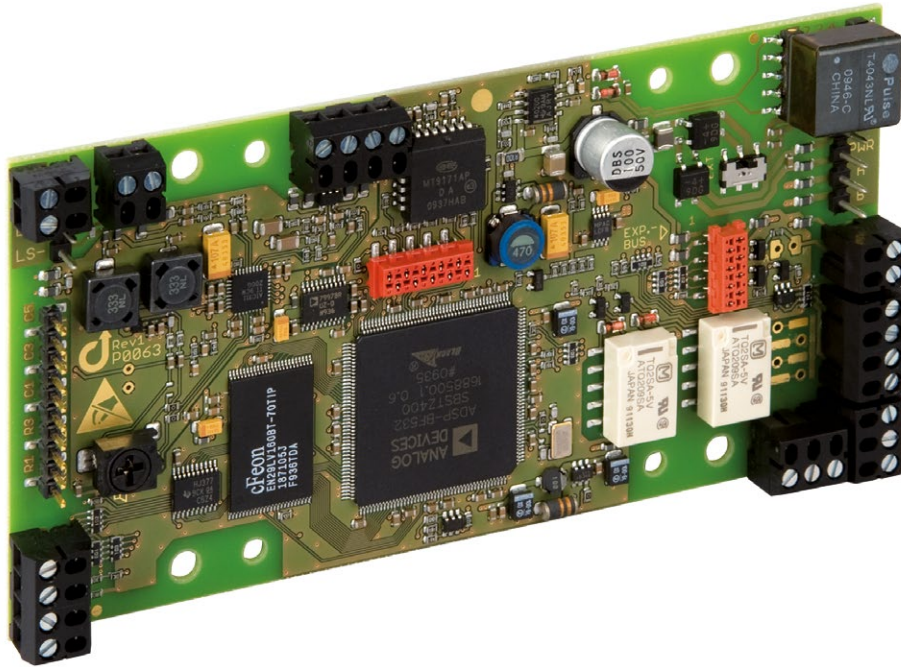


ET 808A

Intercom module for integration in housings and panels



High
volume

OpenDuplex®
technology

16 kHz
eHD Voice

The perfect built-in solution

The Intercom module is used for integration in existing housings and panels or building of customer-specific stations. This allows building of stations for lift cabins, barriers or pay-on-foot machines as well as customised solutions for system desks.

The DSP technology enables loudspeaker/microphone surveillance and audio monitoring and is prepared for future functions, which easily can be activated by updating the software. A standard keypad with 6 additional function keys can be connected via a plug for row/column keypads.

Features and highlights

- Digital 2-wire technology
- Crystal clear 16 kHz speech quality for optimum intelligibility
- Integration in existing housings and panels
- Integrated inputs and outputs for control and indication functions (e.g. door open indication, broken barrier indication, etc)
- Integrated amplifier with 2.5 W
- Supports DSP features such as OpenDuplex®, audio monitoring, loudspeaker/microphone surveillance, ...
- Expansion via optional expansion boards

ET 808A

Technical specifications

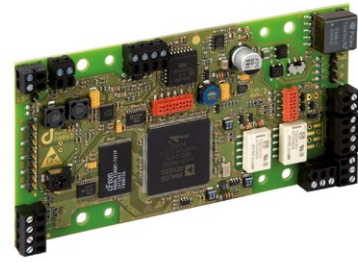
Technical data

Keyboard:	possibility for connection of 3 single buttons or of a keypad with 18 buttons
Microphone input:	for an electret condenser microphone or a dynamic microphone mic input: nominal level 2.8 mV (mic-feeding voltage 2.5 V / 3.3 k Ω) recommended: electret condenser microphone -43 dBV / Pa
Connection for loudspeaker:	2.5 W at 4 Ω / 1.5 W at 8 Ω LS-output: max. 3.5 V _{eff} (LS-Pot max, Vol. 9)
Ext. microphone, loudspeaker:	possibility for connection of e.g. headset, handset EP-output: max. 850 mV _{eff} (Vol. 9), R _i = 200 Ω EM-input: nominal level 14 mV on 3.3 k Ω (Mic-feeding voltage 2.5 V)
Line input:	for feed-in of analogue audio sources (e.g. music, radio conference) line-input: nominal level 0 dBu 0.775 V at 10 k Ω
Amplifier:	integrated amplifier with 2.5 W output power: 1.5 W with 8 Ω loudspeaker, 2.5 W with 4 Ω loudspeaker
Status indicator:	possibility to connect a LED 6 mA or multifunction LED (colours: red, green, blue)
Inputs:	3 inputs for floating contacts (recognises 5 input states)
Outputs:	2 relay outputs 30 V / 1 A: 100,000 make-and-break cycles
Frequency range:	200 Hz to 16 kHz (depending on connected loudspeaker)
Operating temperature range:	-20 °C to +60 °C (-4 °F to 140 °F)
Storage temperature range:	-20 °C to +60 °C (-4 °F to 140 °F)
Relative humidity:	up to 95 %, non-condensing
Plug:	pluggable screw terminals - expansion jack for e.g. EB2E2A
Cabling:	star feed, 2 wires, twisted
Power supply:	from Intercom Server option: external, floating supply for greater line length or loudspeaker < 8 Ω (12-24 VAC or 15-35 VDC, max. 6 W)
Signalling:	2B + D (2 x 64 kBit/s speech, 16 kBit/s data)
Dimensions (W x H x D):	65 x 130 x 24 mm (2.56 x 5.12 x 0.95 in)
Weight incl. packaging:	200 g (0.44 lbs)

Extent of supply

One Intercom module including:

- Electret condenser microphone MIC 480 (not at ET 808AME)
- LED (red)
- 4 fixing spacers with M3 thread
- Short reference



System requirements

Full scope of operation only with GE 800 / GE 300:

- GE 800 (min. PRO 800 1.2) with G8-GED (G3-8-SUB min. 3.2)
- GE 300 (min. PRO 800 1.2) with G3-GED (G3-8-SUB min. 3.2)
- VirtuoSIS/S3/S6 with ET 901-D

Backwards compatibility to GE 700 / GE 200:

Is recognised as ET 808 and therefore can only be used with the feature scope of the ET 808.

- GE 700 (min. Pro 05.0) with G7-GED-4 (min. software V02.2)
- GE 200 (min. Pro 05.0) with G2-GED-4 (all software versions)

Line length

Cable type	Power supply Intercom Server		
	24 VAC	30 VDC	26 VDC
Ethernet cable e.g. Cat. 5 Loop resistance: 190 Ω /km Capacity: 48 nF/km	1200 m 3937 ft	1600 m 5249 ft	1100 m 3608 ft
Telecommunication cable e.g. F-YAY; \varnothing 0,6 / 0,8 mm Loop resistance: > 135 / > 73 Ω / km Capacity: 100 nF/km	1000 m 3280 ft	1500 m 4921 ft	1000 m 3280 ft
External power supply	max. 2800 m / 9186 ft		

All values for connected loudspeakers \geq 8 Ω .

ET 808A

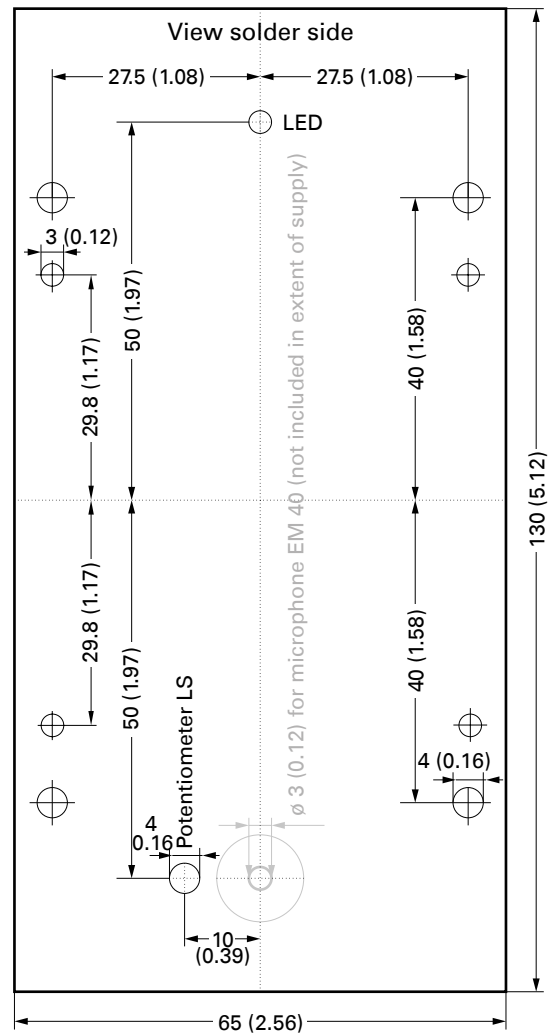
Installation instructions

Precautions

- ESD precautions must be observed.
- Devices belonging to another earthing network must not be connected to the device's connectors.
- The device and connectors are subject to possible high transient voltage surges. The device is intended for appropriate installation to be mounted internally in locations where uninsulated conductors are not accessible to the operator.
- Disconnect the DC power (PWR Connector) and the digital interface to the Intercom Server (A, B) for any maintenance of the device.
- Before using this device, ensure all cables are connected correctly and are not damaged.
- Allow the device to cool down completely before touching any parts.
- Install or store this device out of the reach of children and do not allow persons unfamiliar with the device and these instructions to handle and operate the device.
- All connected circuits shall fulfil the requirements for SELV circuits (acc. IEC/EN 60950-1) and LPS max. 15 W (Limited Power Source).
- All changes or modifications not expressly approved by the party responsible for compliance could void the user's authority to operate the equipment.
- This device shall be installed or replaced by trained and qualified personnel only.
- Conductive housing and mounting plates must be connected to protective earth.
- ATTENTION: The switch PWR, for external potential-free power supply, must not be manipulated when the device is under operation. Disconnect PWR, A and B first.

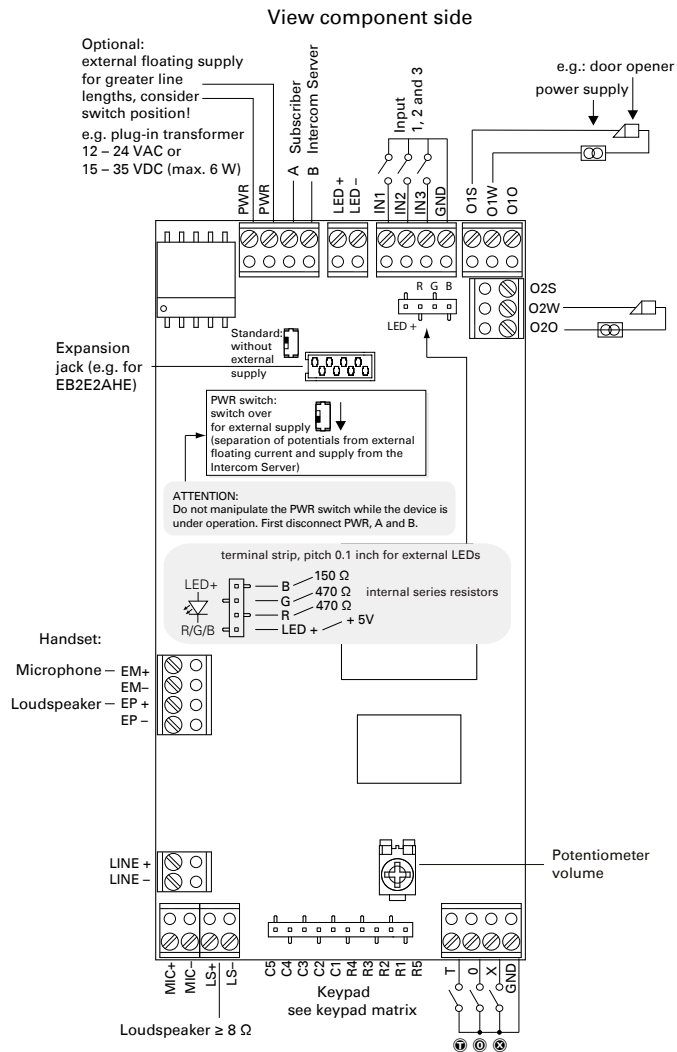
Dimensions

Measuring units in mm (in), not to scale!



ET 808A Installation instructions

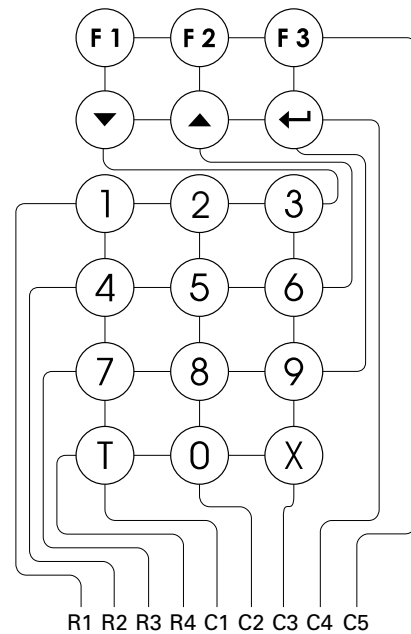
Connection



Mounting instructions

- Do not expose the station to extreme temperatures (under $-20\text{ }^{\circ}\text{C}$ or above $+60\text{ }^{\circ}\text{C}$ / $-4\text{ }^{\circ}\text{F}$ to $140\text{ }^{\circ}\text{F}$).
- Ensure a minimum distance of 8 mm (0.31 in) to the housing or mounting plate (e.g. using fixing spacers included in the extent of supply).
- The device must be protected against dust, dirt, humidity and environmental influences. The housing must protect against possible high transient voltage surges.
- Observe the country-specific standards for installation, mounting and configuration.

Keypad matrix



Multifunctional LED

The connection diagram above shows the connection possibility of a multifunctional LED that can display the colours red, green and blue. With the configuration software CCT 800 (version 9.0 or newer), the LED can be configured individually and separately for

- Tone signals (e.g. error tone, privacy tone, “waiting signal for busy”)
- Operating states (e.g. emergency call, “state group call”, “state conference listen”)

For LED indication of the tone signals or operating states, see configuration templates. The LED ist pre-configured as follows:

- Red: conversation status
- Green: call status (e. g. call request active)
- Blue: door-opener

Please make sure you are using the latest firmware of ET808A to make use of the configurable LED functionality.

Quality tested. Reliable. Smart.

COMMEND products are developed and manufactured by Commend International in Salzburg, Austria.

The development and manufacturing processes are certified in accordance with **EN ISO 9001:2015**.



The technical data contained herein has been provided solely for informational purposes and is not legally binding. Subject to change, technical or otherwise. lolP®, OpenDuplex® and Commend® are trademarks registered by Commend International GmbH. All other brands or product names are trademarks or registered trademarks of the respective owner and have not been specifically earmarked.

A strong worldwide network

COMMEND is represented all over the world by local Commend Partners and helps to improve security and communication with tailored Intercom solutions.

www.commend.com